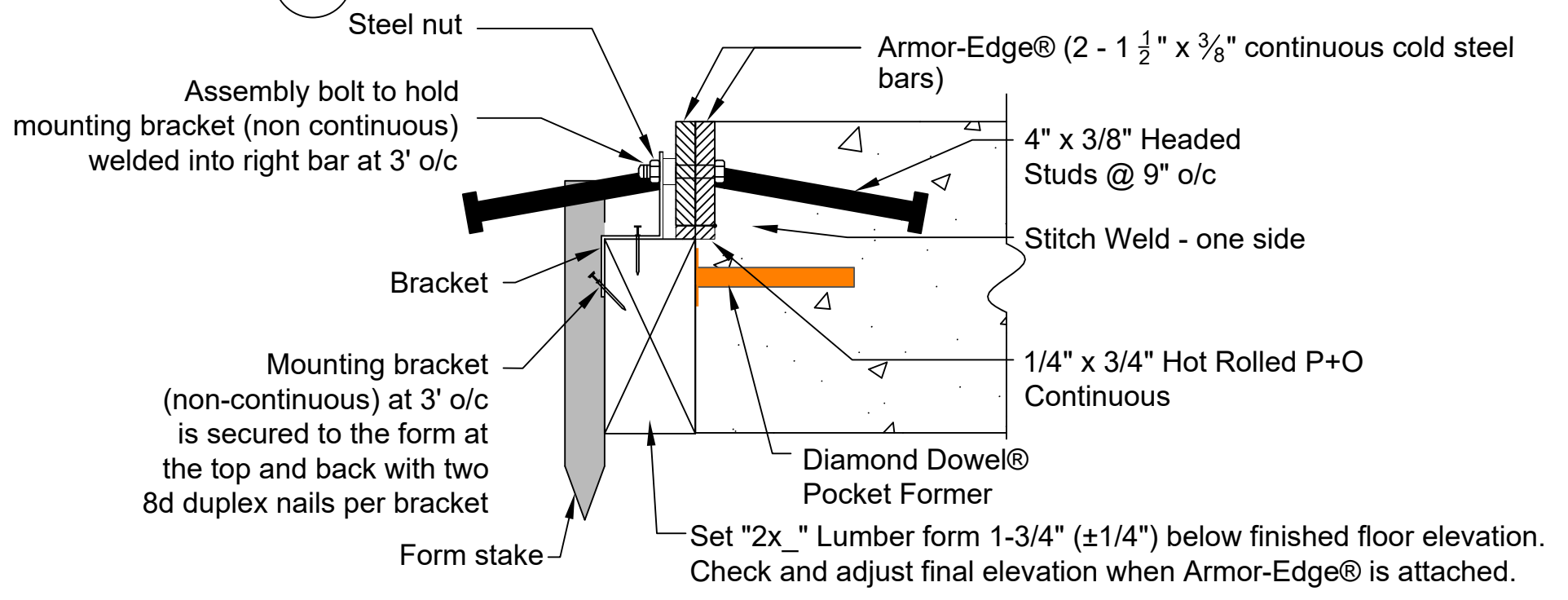
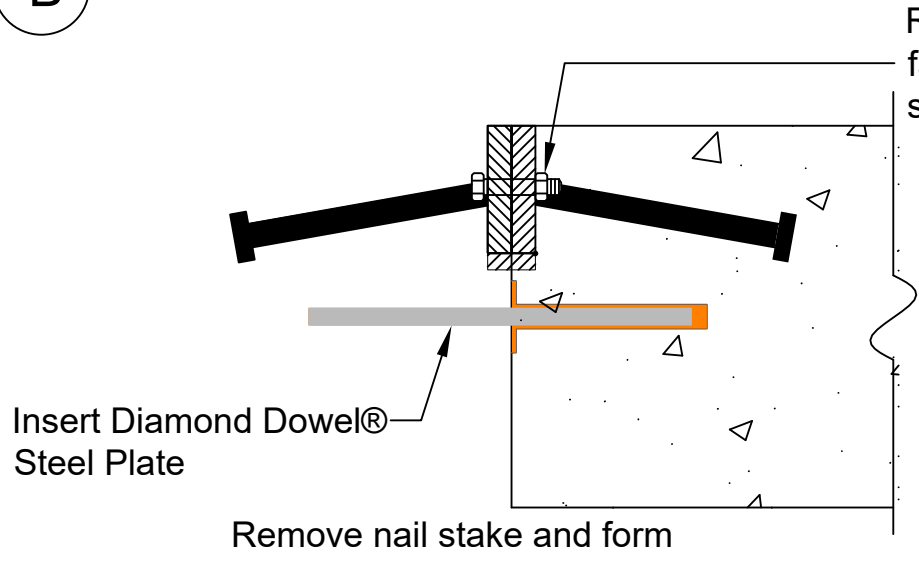


A Form and Place Concrete

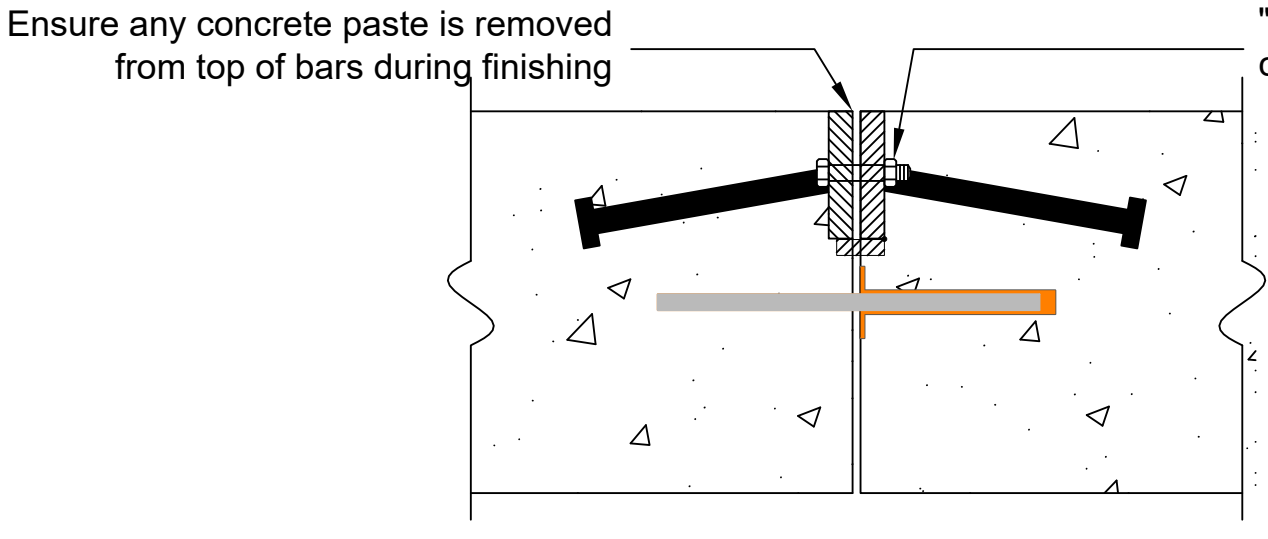


B Strip Form; Insert Diamond Dowel® Plate



Remove the shipping bracket and spacer to facilitate form removal, "Nylon" Assembly holds second bar in place during second slab cast.

C Place 2nd Concrete Slab



- NOTES:**
1. Standard length is 12' with 4-1/2" offset.
 2. Armor-Edge® assembly as manufactured by PNA Construction Technologies, Inc. (800) 542-0214

SHEET#
AE-3.5

**Armor-Edge® Joint Assembly Installation Section
View at Mounting Bracket - Construction Joint**

DATE **March 2019** SCALE **Not to Scale** DRAWN BY

©2019 PNA Construction Technologies



www.pna-inc.com

700 High Grove Blvd.
Glendale Heights, IL 60139
800-542-0214

©PNA Construction Technologies, Inc. All rights reserved. Diamond Dowel®, Armor-Edge®, Load Plate Basket® and PD3 Basket® are registered trademarks and HydraCure™ and Square™ Dowel Clip are trademarks of PNA Construction Technologies, Inc. Products shown may be covered by one or more of U.S. patents #6,775,952, #6,354,760, #5618125; Great Britain patent #1034340; Mexico patent #22942; New Zealand patent #504785; India patent #203607 and other pending patents.