

### STEP 1

Set bulkhead 2 inches (50 mm) below top of slab. Stake bulkhead.

### STEP 2

Mark chalk-line on bulkheads 3/4 inch (20 mm) above slab center or minimally at top of form so center line of the Diamond Dowel® plate will be set at the lower of mid-slab depth or a minimum of 2-1/8 inch (53.13 mm) below top of slab. Whichever is more.

### STEP 3

Attach Diamond Dowel® pocket former onto bulkhead with pre-inserted nails on the inside of the placement area. Align center line of dowel at the lower of mid-slab depth or 2-1/8 inch (53.13 mm) below top of slab. Whichever is more.

### STEP 4

Place the joint assembly on top of the bulkhead with the mounting brackets on the outside of the intended placement area. Secure the joint assembly to form at top and back of each mounting bracket with two 8d duplex nails per bracket. For long runs, join joint assembly at overlap using nylon nuts and bolts provided. Check assembly for correct line and adjust if required.

### STEP 5

If the Armor-Edge® joint assembly will butt up to a saw-cut contraction joint, cut through the full-depth (2 inches [50 mm]) of the abutting bar to allow activation of the joint.

### STEP 6

Place and finish first slab. Use internal vibration to consolidate concrete under Diamond Dowel® pocket former per industry guides for embedments. Remove concrete paste from the top of the Armor-Edge® steel bars during finishing.

### STEP 7

Remove mounting bracket from joint assembly. Strip bulkhead and bend nails protruding from pocket former so they are flush with the joint face.

### STEP 8

Insert the Diamond Dowel® plate into slot created by Diamond Dowel pocket former. Center the corner of the plate in the middle of the label and push straight through the label into the pocket former. Do not hammer or use excessive pounding force to insert Diamond Dowel® plate. Diamond Dowel® plate should be inserted within two weeks of concrete placement.

### STEP 9

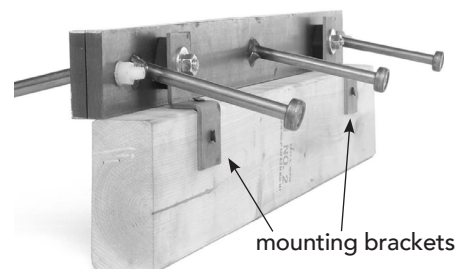
Place and finish second slab. Use internal vibration to consolidate concrete under Diamond Dowel® plate per industry guides for embedments.

### STEP 10

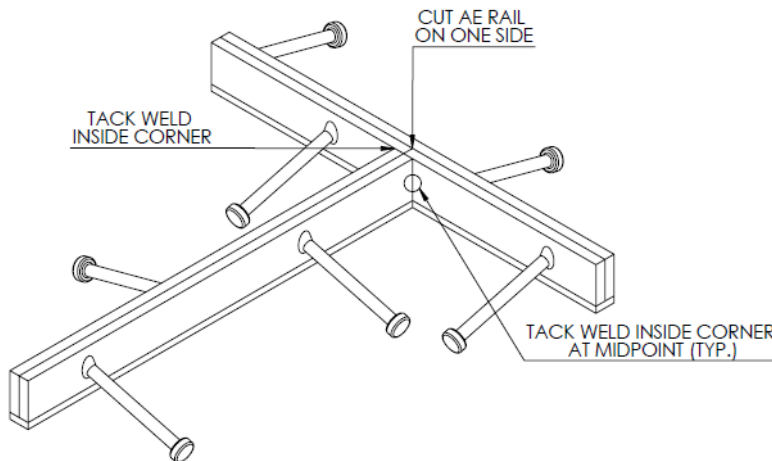
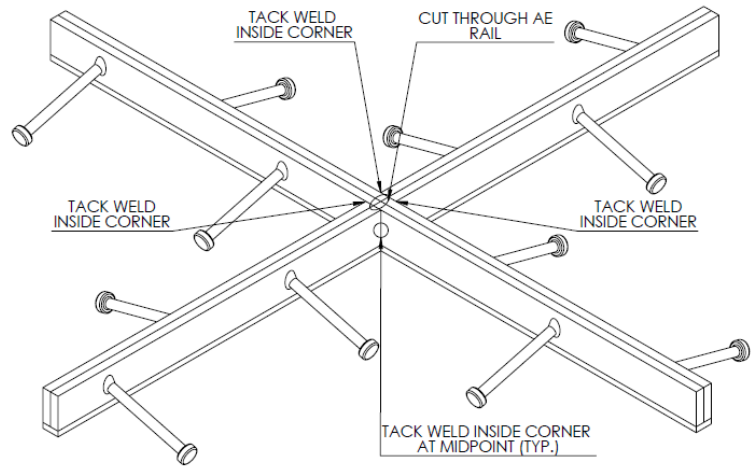
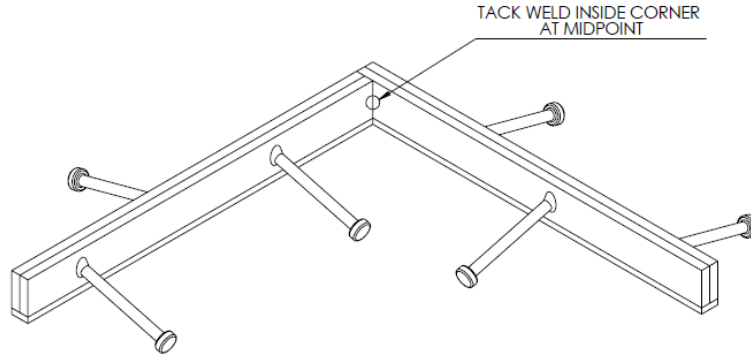
Remove concrete paste from the top of the Armor-Edge® steel bars during finishing. Threads of nylon nut will strip when concrete contracts.

### STEP 11

Fill joints as outlined in the project specification.



If your project involves intersections, please follow the below guides:



For price quotes, email inquires to [csr@pna-inc.com](mailto:csr@pna-inc.com).

To place an order, email your purchase order (PO) to [orderspna@pna-inc.com](mailto:orderspna@pna-inc.com).

To speak with a Customer Service Representative, call 1 (800) 542-0214.

©2022. PNA Construction Technologies, Inc. All rights reserved. 01/22. Products are registered trademarks of PNA Construction Technologies, Inc. and may be covered by one or more U.S., international or pending patents. Visit [www.pna-inc.com](http://www.pna-inc.com) for the list of trademarks and patents.

**PNA-2**



[www.pna-inc.com](http://www.pna-inc.com)  
©2021 Illinois Tool Works, Inc.