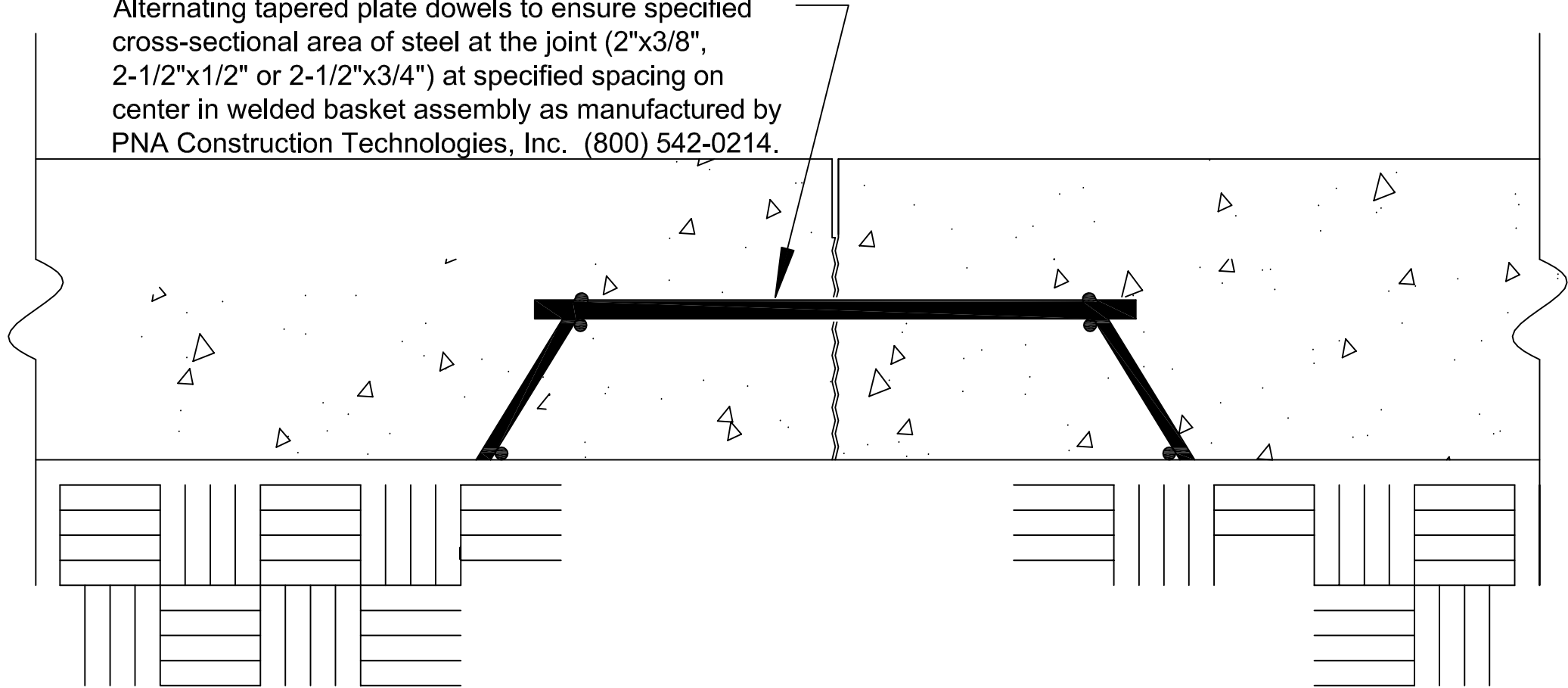


PD<sup>3</sup> Basket® plate dowels are thinly and evenly coated with Tectyl® 506 for debonding.

Alternating tapered plate dowels to ensure specified cross-sectional area of steel at the joint (2"x3/8", 2-1/2"x1/2" or 2-1/2"x3/4") at specified spacing on center in welded basket assembly as manufactured by PNA Construction Technologies, Inc. (800) 542-0214.



SHEET#  
PD3-2

# PD<sup>3</sup> Basket® Assembly - Section View

DATE August 2007	SCALE 3" = 1'-0"	JOB #	DRAWN BY MSS	APPROVED
------------------	------------------	-------	--------------	----------

© 2008 PNA Construction Technologies, Inc.



Nine Dunwoody Park, Suite 111 (800) 542-0214  
Atlanta, GA 30338 fax (770) 455-6803

©PNA Construction Technologies, Inc. All rights reserved. Diamond Dowel®, Armor-Edge®, Load Plate Basket® and PD3 Basket® are registered trademarks and HydraCure™ and Square™ Dowel Clip are trademarks of PNA Construction Technologies, Inc. Products shown may be covered by one or more of U.S. patents #6,775,952, #6,354,760, #5618125; Great Britain patent #1034340; Mexico patent #22942; New Zealand patent #504785; India patent #203607 and other pending patents.