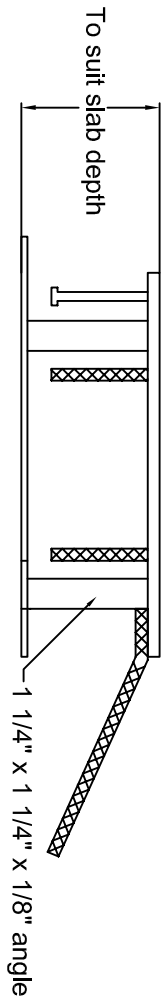
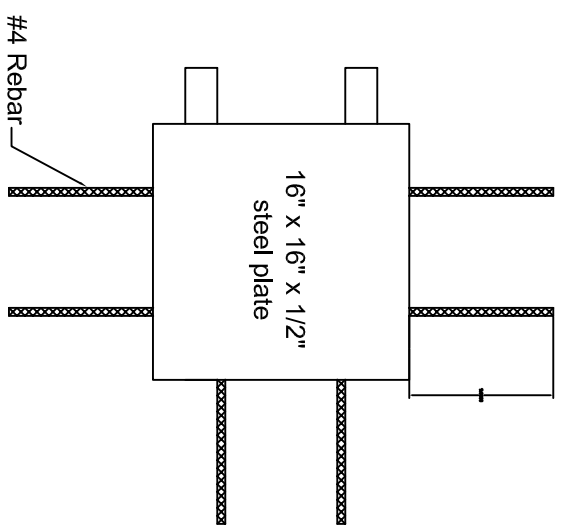


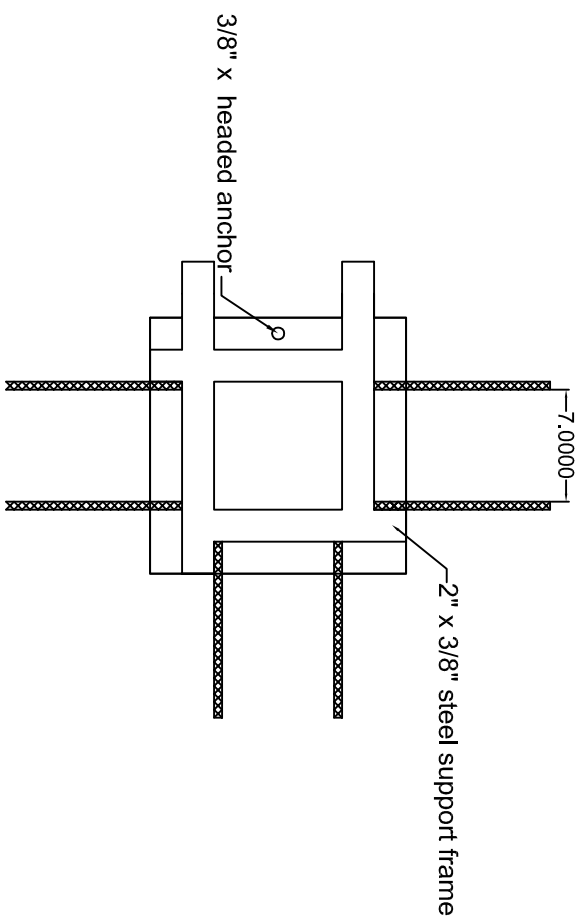
| HEADED ANCHOR LENGTH | STUD LENGTH |
|----------------------|-------------|
| SLAB DEPTH           | STUD LENGTH |
| < 6"                 | 2"          |
| 6" - 7"              | 3"          |
| ≥8"                  | 4"          |



**C** 16" Bollard Base - End View  
1" = 1'-0"



**A** 16" Bollard Base - Plan View  
1" = 1'-0"



**B** 16" Bollard Base - Bottom View  
1" = 1'-0"

# PNA Square Bollard Base - 16" 3-View

SHEET#  
**SBTP-1**

DATE August 2007

SCALE NTS

JOB #

DRAWN BY MSS

APPROVED



© 2007 PNA Construction Technologies

©PNA Construction Technologies, Inc. All rights reserved. Diamond Dowel®, Armo-Edge®, Load Plate Basket® and PD3 Basket® are registered trademarks and Hydracure™ and Square™ Dowel Clip are trademarks of PNA Construction Technologies, Inc. Products shown may be covered by one or more of U.S. patents #6,775,952, #6,354,760, #5618125, Great British patent #1034340, Mexico patent #22942, New Zealand patent #504785, India patent #203607 and other pending patents.