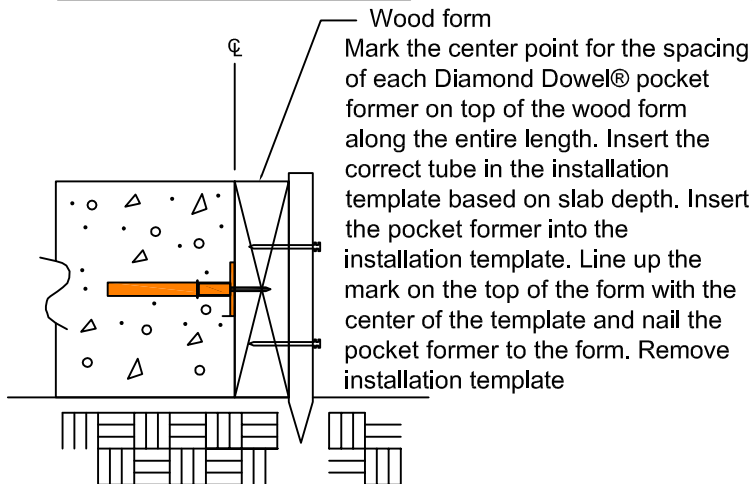
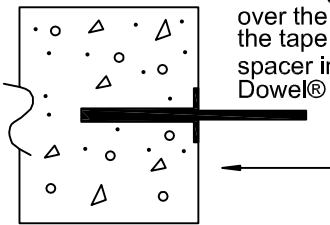


SECTION

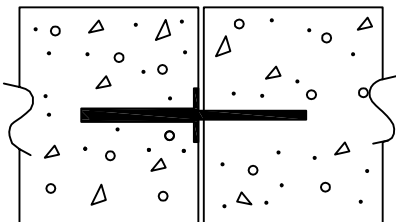


Wood form
 Mark the center point for the spacing of each Diamond Dowel® pocket former on top of the wood form along the entire length. Insert the correct tube in the installation template based on slab depth. Insert the pocket former into the installation template. Line up the mark on the top of the form with the center of the template and nail the pocket former to the form. Remove installation template

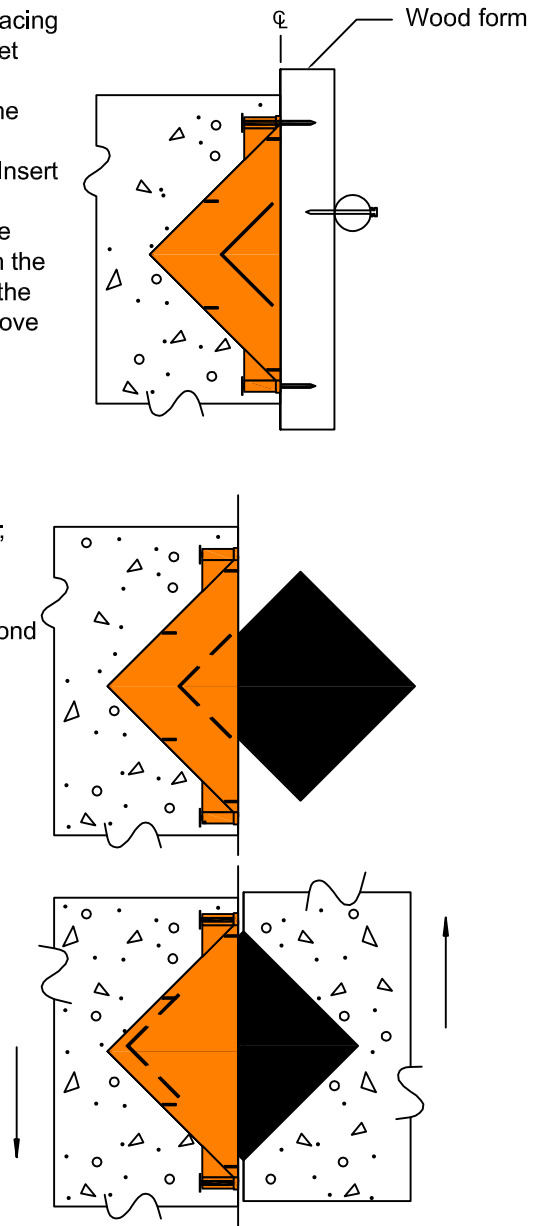
The form is stripped and the Diamond Dowel® plate inserted into the slot within 2 weeks of concrete placement; centering the Diamond Dowel® plate over the center of the label, puncture the tape seal and push the vertical spacer in straight to the back of Diamond Dowel® pocket former.



The unique design of the Diamond Dowel® System allows for the differential movement between slabs when the concrete shrinks.



PLAN



NOTES:

1. Available in three sizes: 1/4", 3/8" and 3/4".
2. Diamond Dowel® 1/4" and 3/8" plates saw cut from hot rolled steel bar; 3/4" plates saw cut from cold rolled steel bar.
3. Install the Diamond Dowel® System per PNA's installation guide using a full-depth form. PNA does NOT endorse any other methods of installation for the Diamond Dowel® System, including use of partial-depth EPS forms.
4. Installation template provided for speed, ease and accuracy of installation in the field.
5. Diamond Dowel® System as manufactured by PNA Construction Technologies, Inc. (800) 542-0214.

SHEET#

DD-4

Diamond Dowel® System Installation Construction Joints

DATE August 2007

SCALE 1"=6"

DRAWN BY

© 2007 PNA Construction Technologies



www.pna-inc.com

Nine Dunwoody Park, Suite 111
Atlanta, GA 30338

(800) 542-0214
fax (770) 455-6803