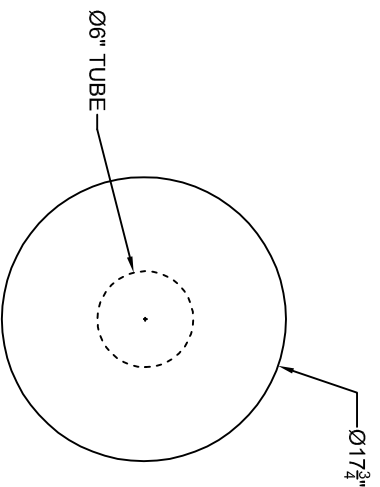
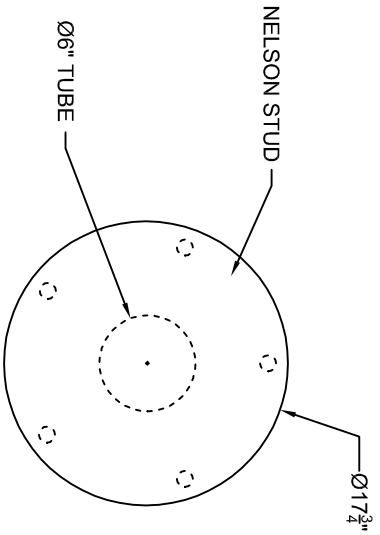
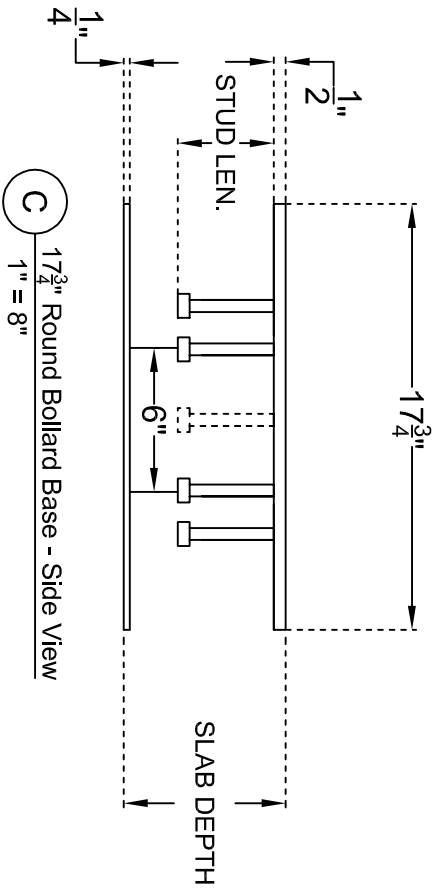


NELSON STUD LENGTH	
SLAB DEPTH	STUD LENGTH
< 6"	2"
6" - 7"	3"
≥ 8"	4"



SHEET#  
**18RBB-1**

**PNA Round Bollard Base - 17 3/4"**

DATE January 2007 SCALE NTS JOB # DRAWN BY EMI APPROVED

© PNA Construction Technologies, Inc. All rights reserved. Diamond Dowe®, Armon-Edge®, Load Plate Basket® and PD3 Basket® are registered trademarks and Hydracure™ and Square™ Dowel Clip are trademarks of PNA Construction Technologies, Inc. Products shown may be covered by one or more of U.S. patents #6,775,952; #6,354,760; #9,518,125; Great British patent #1034340; Mexico patent #203607 and other pending patents.